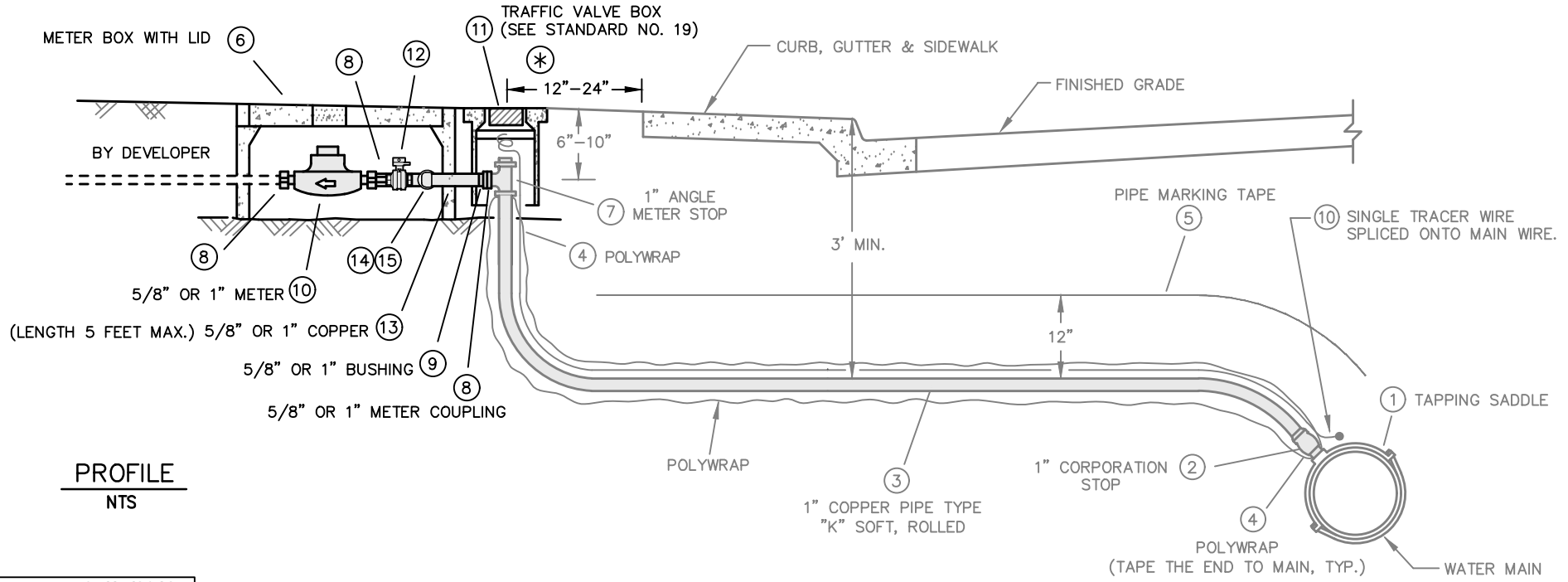


PLAN
NTS

⊛ 12" FROM BACK OF WALK (FOR A 5' OR WIDER SIDEWALK)
24" FROM BACK OF WALK (FOR A 4' SIDEWALK)



PROFILE
NTS

Updated Date: 05/17/2018



Drawn By: DUC L.
 Checked By: TANISHA W. / JOHN S.
 Approved By: SHILPA M. / TERRY W.
 Revised Date: NOVEMBER 2017

Signature: *[Handwritten Signature]*
 Director of
 Water and Sewer Utilities

CITY OF SANTA CLARA
 WATER AND SEWER UTILITIES - STANDARD NO. 33

WATER SERVICE OFFSET

Standard No. 33 – Water Service Offset – Material List

Domestic Products Only. Use no lead products for domestic water services.

Material	Description	Manufacturer	Model
1. Tapping Saddle	For PVC C900, bronze saddle, specified pipe size x 1” AWWA/CC Tap	Ford	202BS
	For ductile iron, cast iron, ACP: single strap bronze, specified pipe size x 1” AWWA/CC Tap	Ford	101B
		Mueller	BRIB
2. Corporation Stop	1" AWWA/CC thread inlet x compression outlet	Mueller	B-25008N
		Ford	FB-1000-4-G-NL
For locations requiring insulated corporation stops, use Mueller N-35008 insulated corp ball valve			
3. Copper Tubing	1" ASTM B88, type K soft rolled tubing		
4. Polywrap	Blue. 8 mil low density or 4 mil high density polyethylene film installed per AWWA C105. Tape the end to main.		
5. Pipe Marking Tape	Blue. 3” wide, 4 mil, non-detectable.		
6. Meter Box with Lid	Lid marked "Water" or “Water Meter”	Christy	B-16 box with B-16G lid
7. Angle Meter Stop	1" Compression inlet x FIP outlet.	Ford	BA41-444 W-G-NL
8. Meter Coupling	1" include gaskets.	Ford	C38-44-X-NL (X=to fit)
		Mueller	H-10871N
9. Meter Bushing	Brass. To adapt 5/8" meter to 1” meter coupling	Mueller	H-10889N
		Ford	A34S-NL include gasket
10. Water Meter & Register (manufacturer's test results are to be submitted with all meters).	Provide Elster transmitter compatible encoded register with Nicor connector. All registers to be facing inlet and provide cubic feet reading.		
	5/8" meter and register.	Badger	LP
	1" meter and register.	Badger	E-SERIES
		Sensus	SR II
11. Traffic Valve Box with Lid	Lid marked "Water" or “Water Meter”	Tyler Union	G-5
12. Curb Stop	Brass Curb Stop clockable		
13. Copper MIP	MIP x sweat joint (SJ)		
14. 90 Degree Brass Elbow	Brass, FIP		
15. 90 Degree Copper Elbow	Copper sweat joint (SJ)		