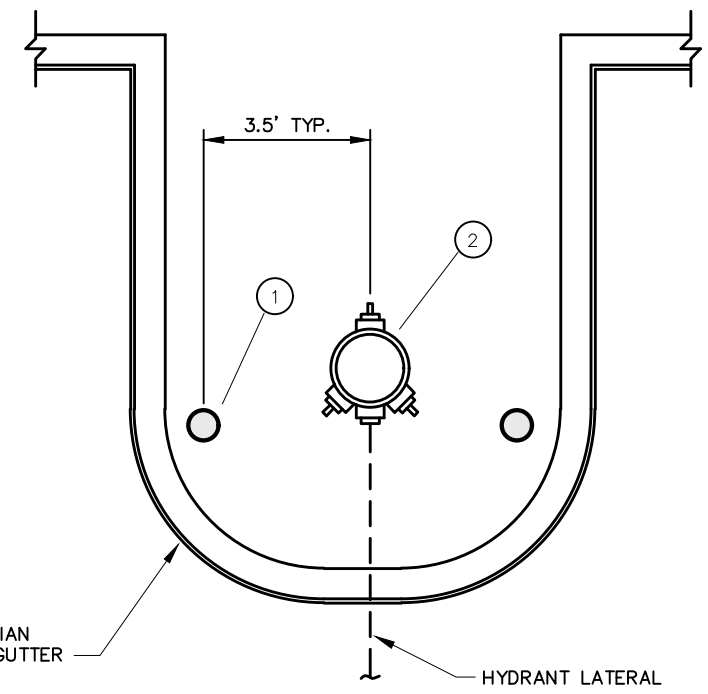
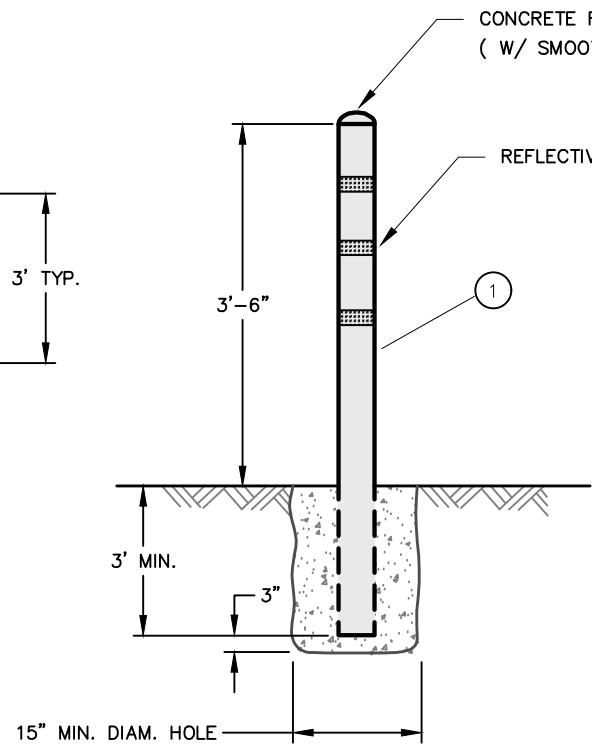


- ① 4" DIAMETER, IRON OR STEEL PIPE PAINTED WHITE WITH 3 YELLOW REFLECTIVE TAPE BANDS, 2" MINIMUM WIDTH.
- ② FIRE HYDRANT
- ③ WATER SERVICE W/RP (CLEARANCES SIMILAR FOR SINGLE SERVICE INSTALLATION)



Drawn By: DUC L.
 Checked By: TANISHA W. / JOHN S.
 Approved By: SHILPA M. / TERRY W.
 Revised Date: NOVEMBER 2017

Signature: *[Handwritten Signature]*
 Director of
 Water and Sewer Utilities

CITY OF SANTA CLARA
 WATER AND SEWER UTILITIES - STANDARD NO. 26

BOLLARD DETAIL



LEFT BLANK INTENTIONALLY