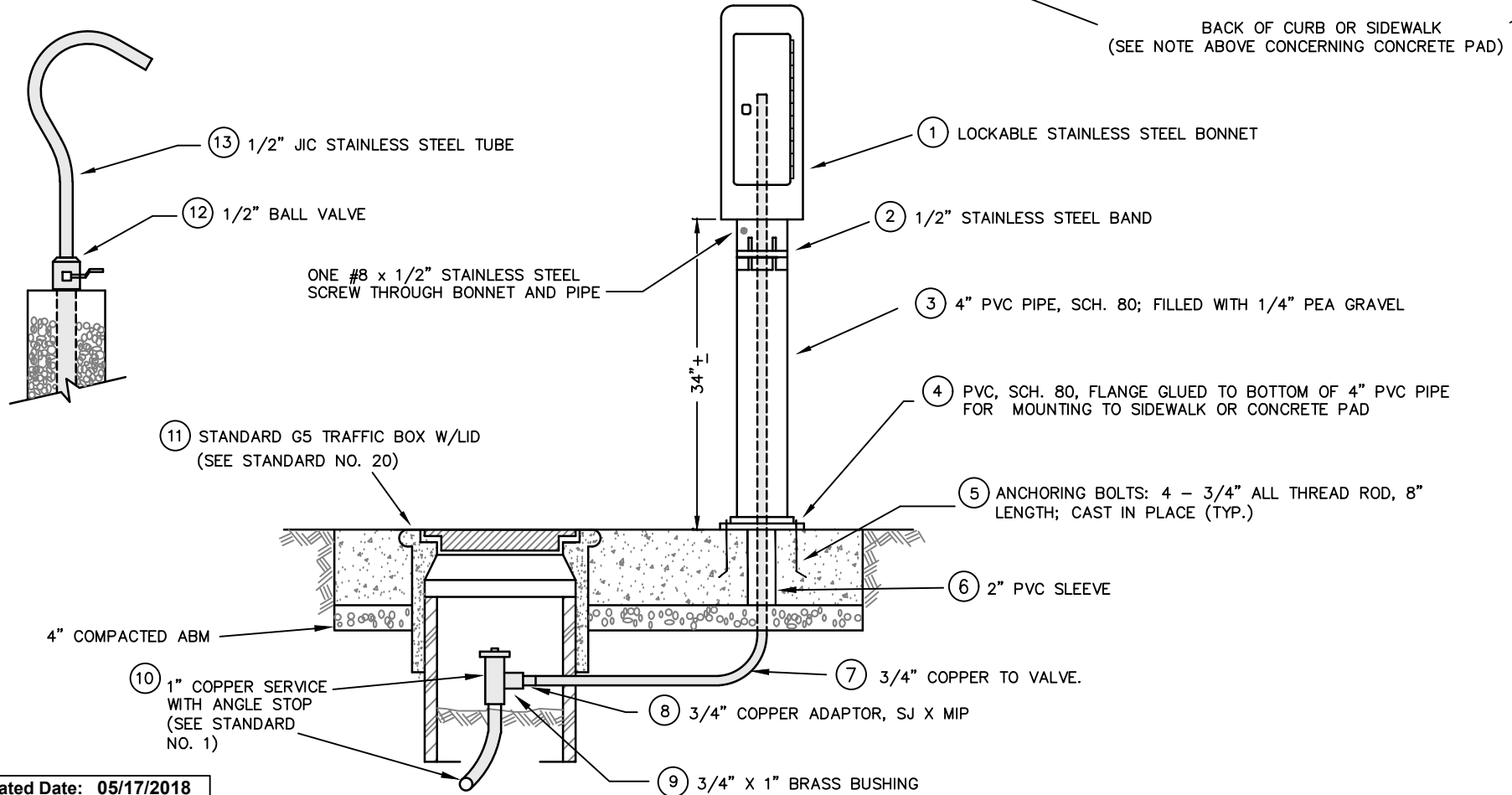
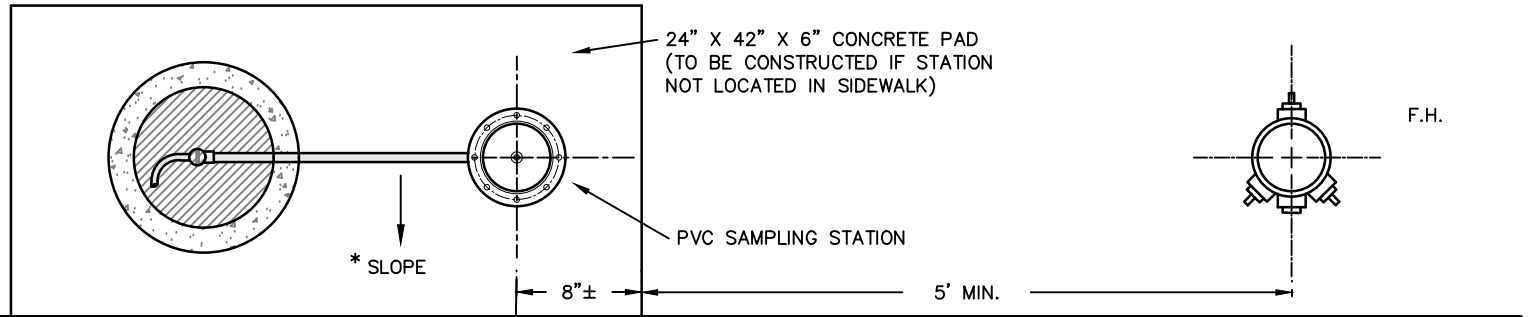


* SLOPE 2% TOWARD CURB TO MATCH POSSIBLE FUTURE SIDEWALK IF CONSTRUCTED AT BACK OF CURB.



Updated Date: 05/17/2018



Drawn By: DUC L.
 Checked By: TANISHA W. / JOHN S.
 Approved By: SHILPA M. / TERRY W.
 Revised Date: NOVEMBER 2017

Signature: *[Handwritten Signature]*
 Director of
 Water and Sewer Utilities

CITY OF SANTA CLARA
 WATER AND SEWER UTILITIES - STANDARD NO. 29

WATER SAMPLING STATION

LEFT BLANK INTENTIONALLY